

32" Stainless Steel Hand Sink Cabinet Stand with Faucet, Water Pipe, 2-Door Storage, Storage Tray

ITEM: 47961



Upgrade Your Space: Stainless Steel Hand Sink Cabinet with Faucet & Storage.

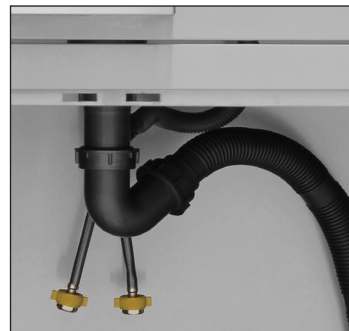
This durable Stainless Steel Hand Sink Cabinet Stand is equipped with a convenient faucet and water pipe for easy access to water.

The cabinet features two doors providing ample storage space for your essentials, while a handy storage tray adds extra organization.

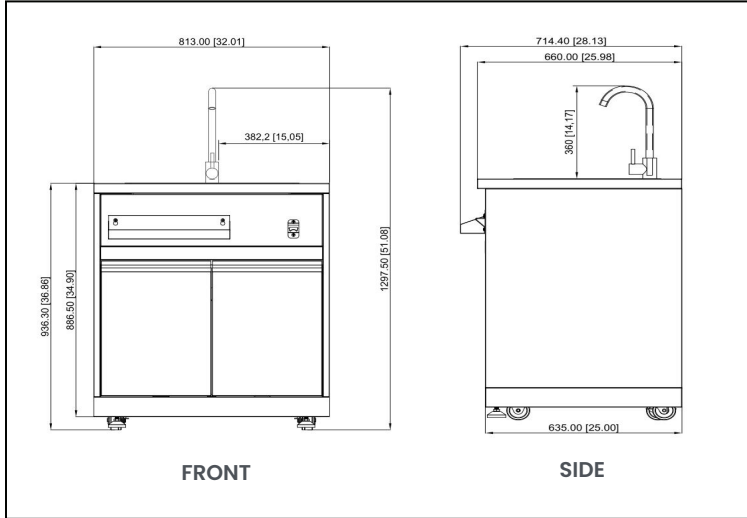
Perfect for kitchens, laboratories, or any environment where hygiene and efficiency are paramount.

FEATURES:

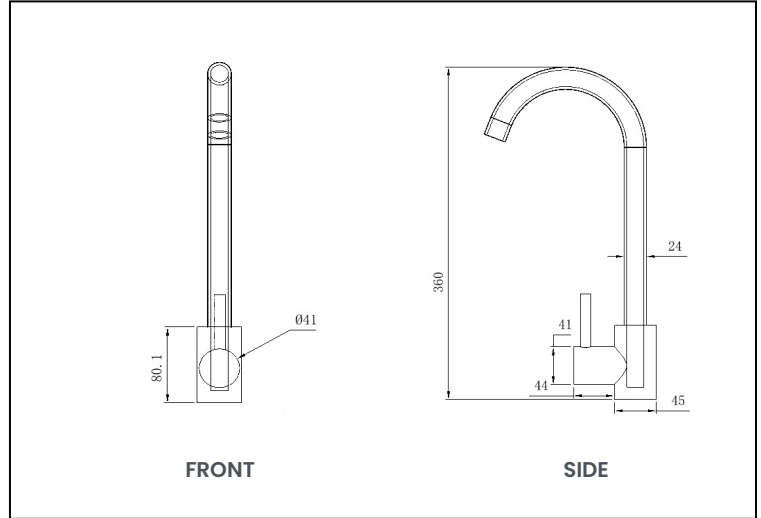
- ✓ All Stainless steel
- ✓ Drain hose, faucet, water pipe, bottle opener
- ✓ 2 door cabinet 3.5 cu.ft (0.1 m³)
- ✓ Storage tray
- ✓ 3" fixed casters (x2) + 3" locking swivel casters (x2)



TECHNICAL DRAWING



SINK



FAUCET

TECHNICAL SPECIFICATION

Item	47961
Material	Stainless Steel (x2) 3" fixed casters + (x2) 3" locking swivel casters
Net Weight	70.5 lbs / 32 kg
Net Dimensions	32" x 26" x 37.9" / 813 x 660.4 x 962.1 mm
Gross Weight	90.4 lbs / 41 kg
Gross Dimensions	34.8" x 28.7" x 17.9" / 885 x 730 x 455 mm

*Assembly required